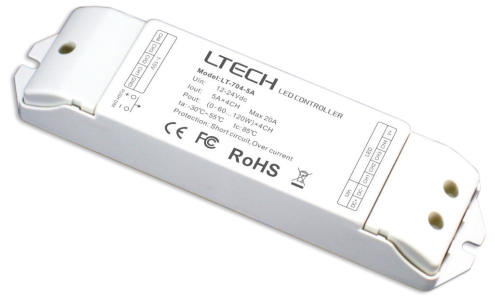


1-10V LED Dimming Driver

0~240 ..480W (0~5A)×4CH 12~24V

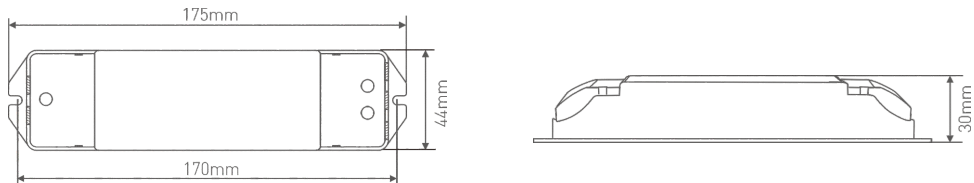
- Dimming interface: 0-10V ,1-10V ,10V PWM ,push button.
- PWM digital dimming, no alter LED color rendering index.
- Dimming range: 0~100%, LED start at 0.1% possible.
- Max. current output: 20A.
- Short circuit / Over current protection, recover automatically.
- Full protective plastic housing.
- Suitable for indoor environments.



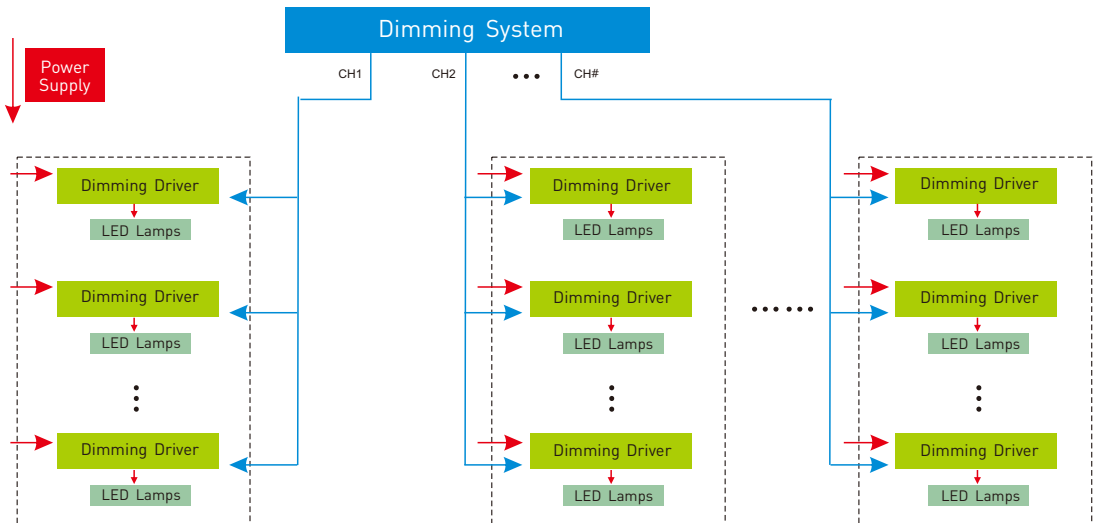
Main Characteristics

Dimming Interface:	0-10V ,1-10V ,10V PWM, push button	Protection:	Short circuit / Over current, recover automatically
Input Voltage:	12~24Vdc	Dimming Range:	0~100%, LED start at 0.1% possible.
Output Voltage:	12~24Vdc	Working Temperature:	-30℃~55℃
Output:	5A×4CH Max. 20A	Product Size:	L175×W44×H30(mm)
Max. Output Power:	0~240W...480W	Package Size:	L178×W48×H33(mm)
		Weight(G.W.):	150g

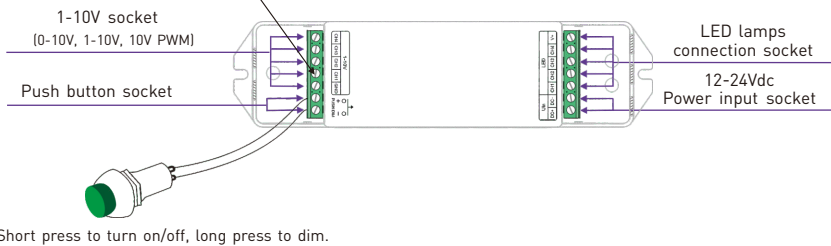
Dimensions



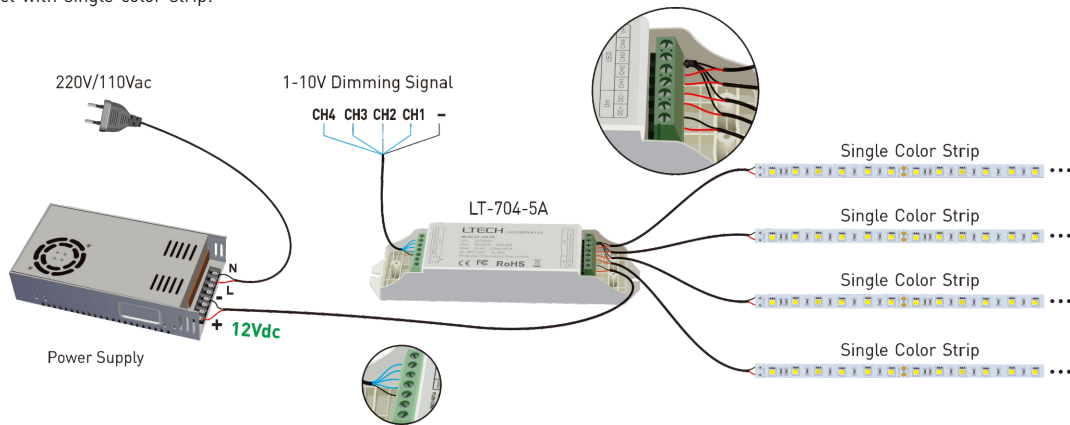
System Connection Diagram:



The default design doesn't support the 1-10V and push dimming that work together, if you want them to work together, please mark down when placing a order.



Connect with single color strip:



Connect with RGBW strip :

